

Capital Improvement Projects Program



January 31, 2024

Victor Velasco
Principal Civil Engineer, Development Services

Overview of Proposed Program

CIP Programs:

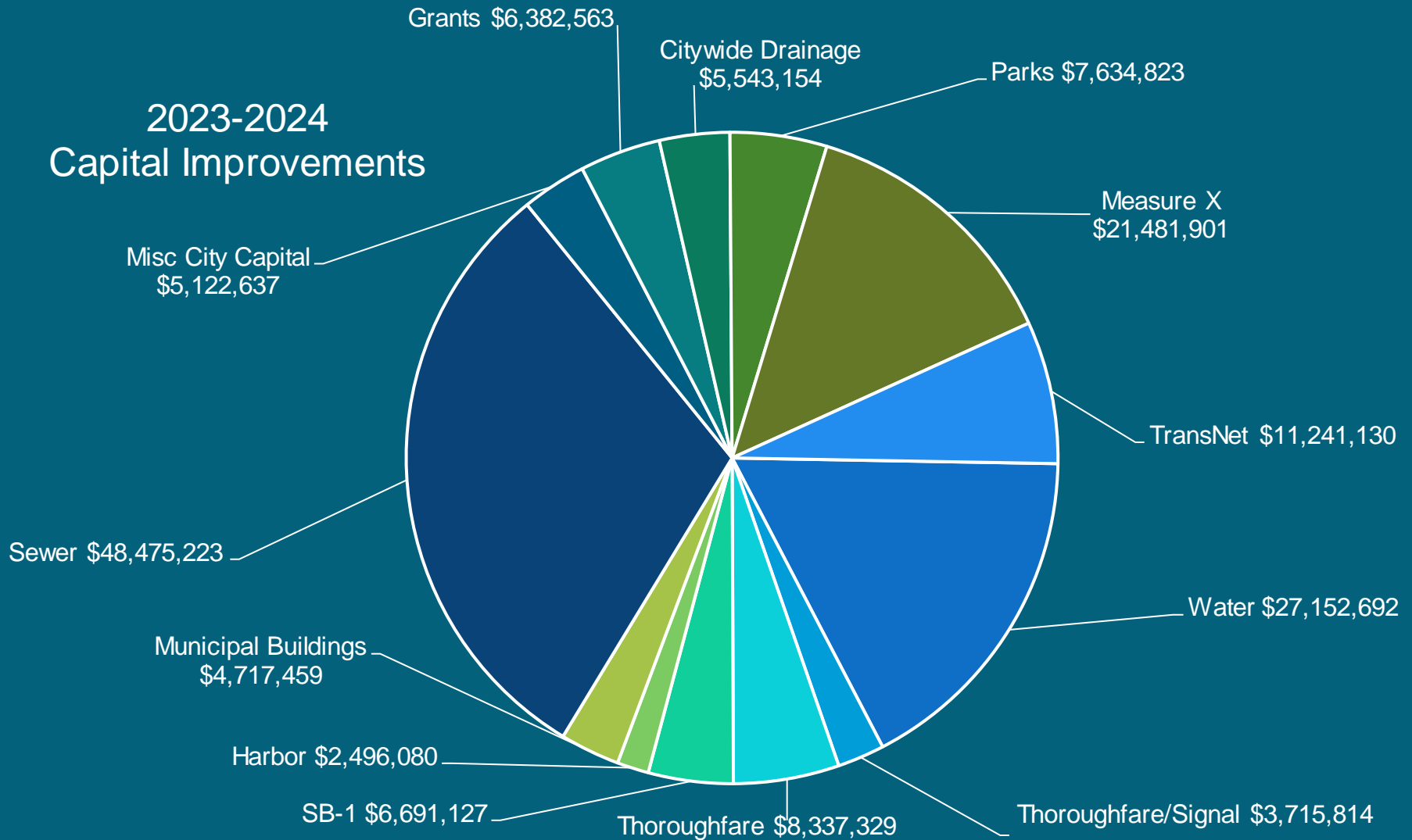
- TransNet, Thoroughfare, Thoroughfare and Signals, Citywide Drainage, SB-1, Parks, Municipal Buildings, Water, Sewer, Harbor, Miscellaneous City, Grants, and Measure X

FY23-24 Budget:

- \$158,991,932 Estimated Expenditures

Overview of Proposed Program

2023-2024 Capital Improvements



Developer Impact Fees

- The City collects four Development Impact Fees as identified below:
 - Thoroughfare Signal Fees
 - Citywide Drainage Fees
 - Parks Fees (Fee update currently in progress)
 - Public Facility Fees
- DIF comprises approximately 30% of the revenue needed for new projects with the balance coming from General Fund allocations
- If development projects decrease, the amount available through DIF also decreases – more General Fund allocations are necessary to fund projects

Pavement Management Program

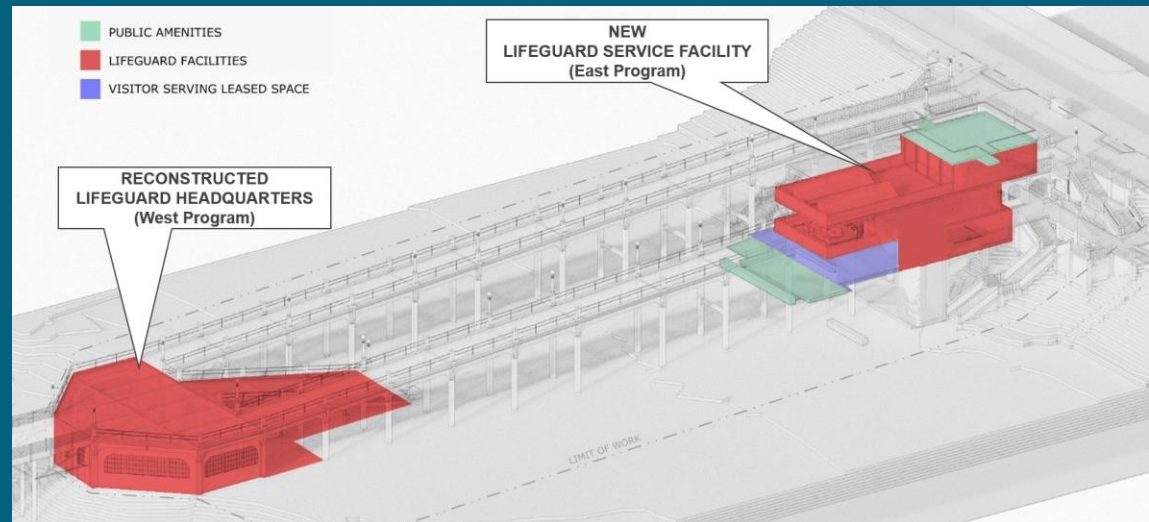
- Combines available Measure X, SB-1 and TransNet funds from the Streets Program for Street Rehabilitation:
 - TransNet – Misc Streets Projects (Slurry Seal) and Street Restoration Asphalt (overlay)
 - SB-1 – Slurry Seal, Asphalt for Overlay and ADA for Overlay
 - Measure X - Road Repairs (Slurry Seal) and Street Restoration Asphalt (Overlay)
 - Miscellaneous City Funds - Compliment Slurry Seal/Overlay
- Current Slurry Seal and Overlay Project CIP22-00004 focused mostly in residential areas and the project cost is upwards of \$15 million
- The City is currently updating its Pavement Management Program



TransNet Program (212)

- Projects

- Dougal Drive Seismic Retrofit
- North Coas Hwy Bridge Seismic Retrofit
- Coast Hwy Corridor
- Pier View Way



TransNet Program (212)

- Projects

- ADA Ramp Replacement/Sidewalk In-fill



Thoroughfare & Thoroughfare and Signal Program (561 & 562)

- Thoroughfare 561 Projects
 - College Boulevard Widening Project
- Thoroughfare & Signal Program 562 Projects :
 - Traffic Signal RDO/Mesa – Design Complete
 - Traffic Signal Conduit Repair (various)
 - Traffic Signal Carey/Canyon – Design on-going
 - Three Traffic Signal Project – In construction
 - Coast Highway Corridor - Design

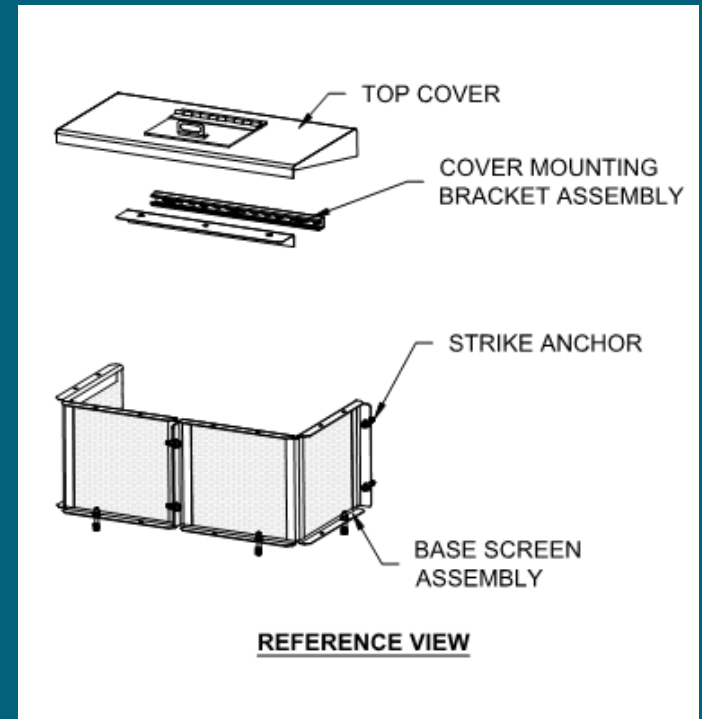
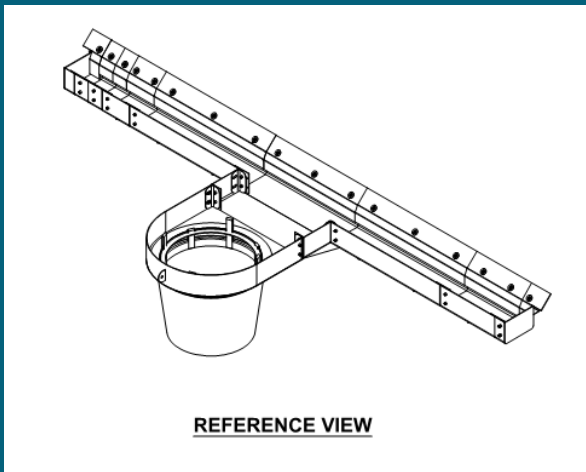
Citywide Drainage Program

- Drainage 516 Projects
 - Cleveland Storm Drainage Upgrades

SB-1 Program (265)

- Projects

- Annual Storm Drain Improvements - FCD
- Pedestrian Warning Signal Improvements
- Radar Feedback Signs
- Laurel Elementary Grant Match



Park Projects - 598

- Projects:
 - Coastal Rail Trail
 - Buccaneer Park Facilities Study
 - Ron Ortega Dog Facilities Design
 - Park Site 1 – El Corazon Design

Municipal Building Program (503)

- MUNICIPAL BUILDING PROGRAM (Fund 503) projects:
 - Lifeguard HQ/Harbor (Design)
 - Civic Center Elevator Controller Board
 - Mission Branch Library Remodel
 - Library Facilities items
 - Main Library Improvement
 - Fire Station #8



Misc. City Capital Program (501)

- Projects

- Downtown Street Light Replacement - Ph 3 \$
- Osido Blvd and Fire Mountain Undergrounding Project
- Street Market Bollards
- Tyson Bluff-Design



Contracting Opportunities

- Informal Projects
 - Construction expected to be less than \$200,000
 - Invitation is sent to those registered as informal Contractor
 - City Engineer can award
 - <https://www.ci.oceanside.ca.us/government/development-services/engineering/capital-improvement-program/bids-rfps-licensed-contractors>

List Your Company as Licensed Contractor in the City

The City of Oceanside is continually seeking contractors who can provide quality products and services at competitive prices. The City contracts for a wide variety of services, and consultant services in order to provide our community a full range of municipal services and programs.

[Notice for Establishment of a List of Qualified Contractors \(FY 23-24\)](#)

An [updated application form](#) for online registration to be added to the City's Licensed Contractor List is now available for Fiscal Year 23-24. Once complete, you will be able to join the City's Licensed Contractor List to be considered for future opportunities throughout the fiscal year.

Contracting Opportunities

- Formal Projects

- Construction expected to be more than \$200,000
- Advertising posted on Bidnet and newspaper
- Council Must Authorize Award
- <https://www.bidnetdirect.com/california/cityofoceanside/solicitations/closed-bids?selectedContent=BUYER>

CLOSED ¹³	<u>Three Traffic Signal Project</u> CIP22-00012 Addendum: 1 published, 0 draft	ITB	Victor Velasco City of Oceanside	04/20/2023	04/20/2023	05/11/2023 02:00 PM PDT	⋮
CLOSED	<u>Library Courtyard</u> CIP21-00022 Addendum: 3 published, 0 draft	ITB	Valentina Esquer City of Oceanside	05/15/2023	05/17/2023	06/26/2023 09:00 AM PDT	⋮
CLOSED	<u>HSIP Cycle 9 Traffic Signal Upgrades</u> CIP20-00002 Addendum: 3 published, 0 draft	ITB	Luis Cardenas City of Oceanside	05/01/2023	05/01/2023	05/22/2023 02:00 PM PDT	⋮
CLOSED	<u>Addendum 1 - Bid Cancellation</u> CIP21-00022 Rev 1 Addendum: 1 published, 0 draft	ITB	Kymberly Corbin City of Oceanside	07/20/2023	07/20/2023	08/16/2023 01:00 PM PDT	⋮
BIDS PUBLISHED	<u>Strawberry Place and El Camino Storm Drain Repair</u> CIP23-00014 CIP23-00026 Addendum: 1 published, 0 draft	ITB	Dan Poulton City of Oceanside	12/21/2023	12/21/2023	01/18/2024 12:00 AM PST	⋮
CLOSED	<u>Strawberry Place Storm Drain Lining Project</u> CIP23-00014 Addendum: 1 published, 0 draft	RFB	Anselmo Martinez City of Oceanside	07/06/2023	07/10/2023	08/07/2023 09:00 AM PDT	⋮
CLOSED	<u>Civic Center Library Courtyard</u> CIP 21-00022	RFB	Kymberly Corbin City of Oceanside	10/23/2023	10/24/2023	12/05/2023 10:00 AM PST	⋮

Questions?

I am available to answer any questions you may have.